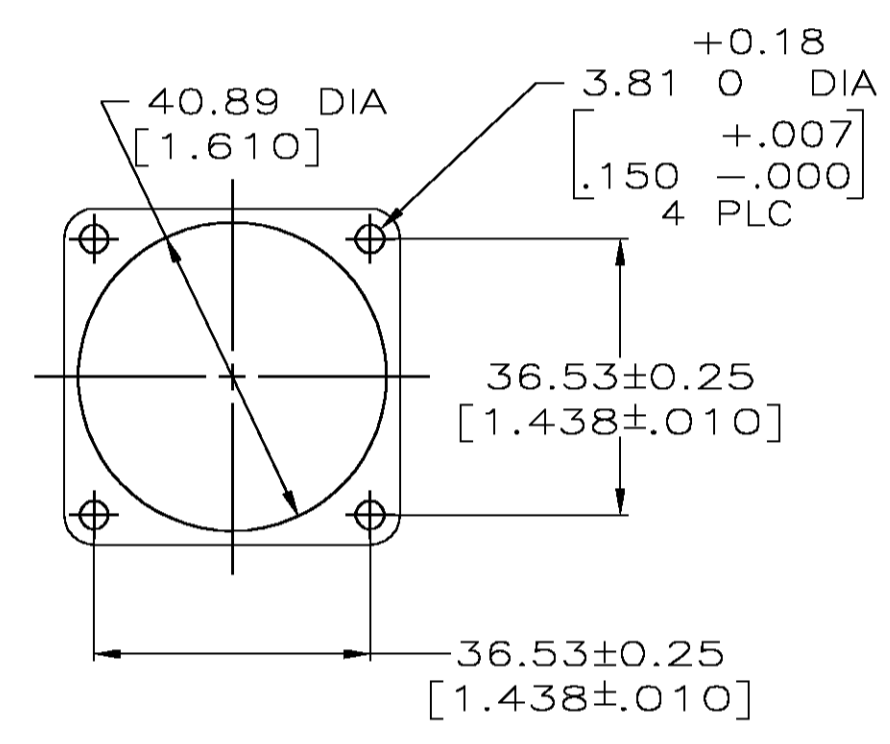
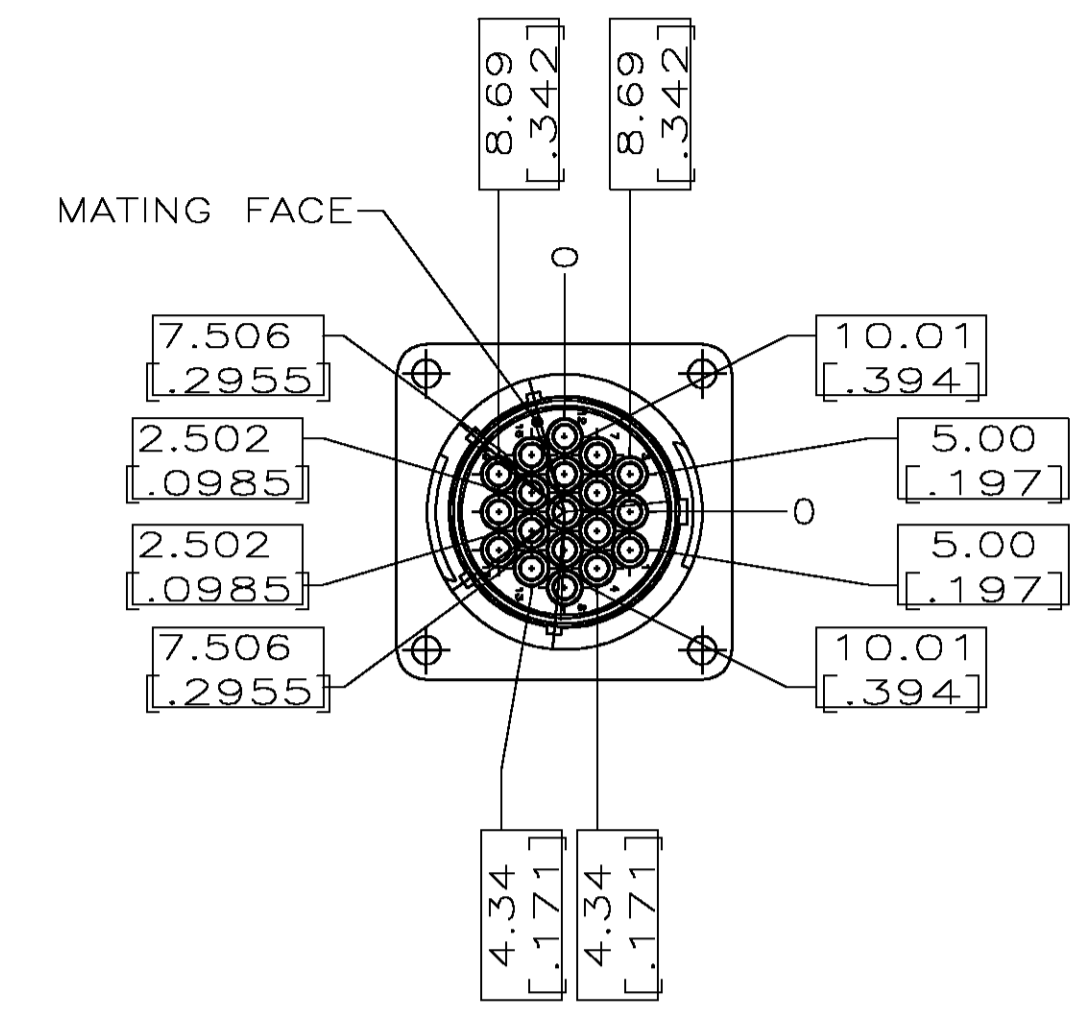
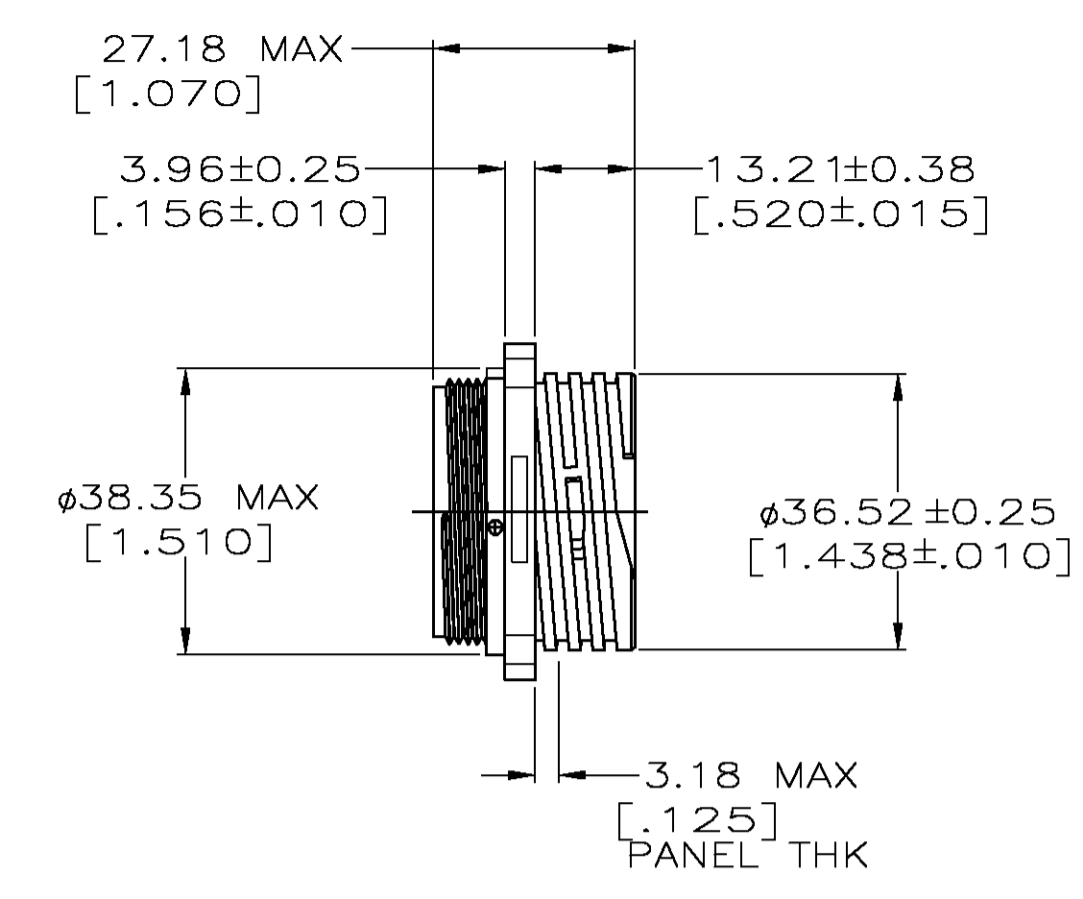
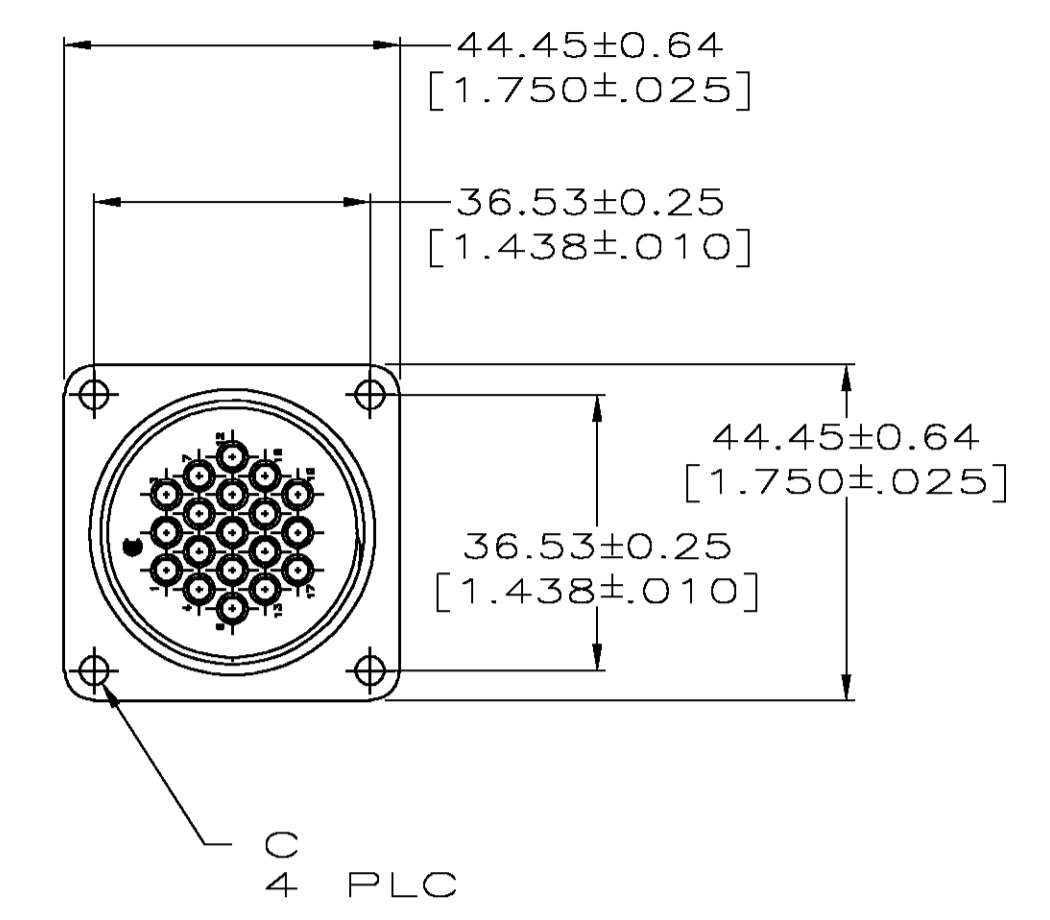
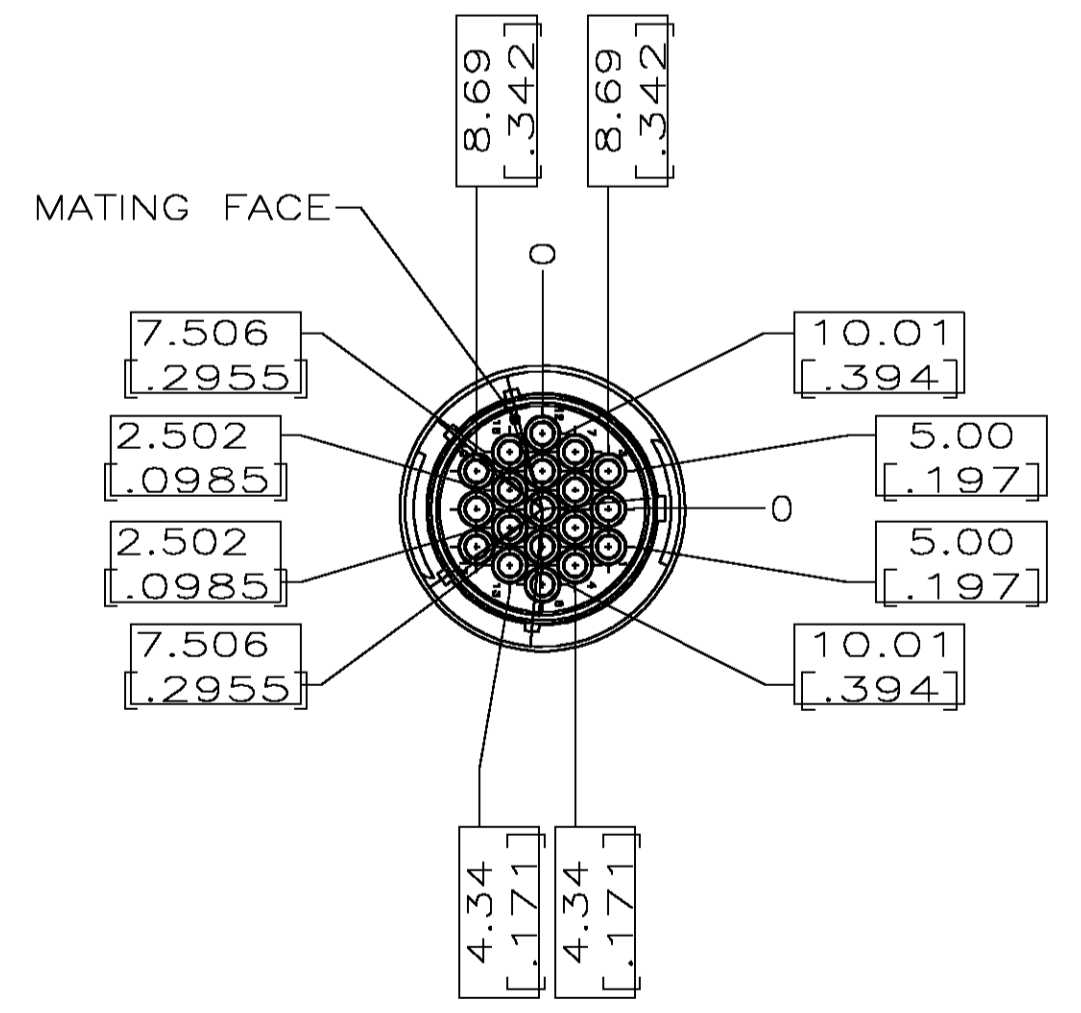
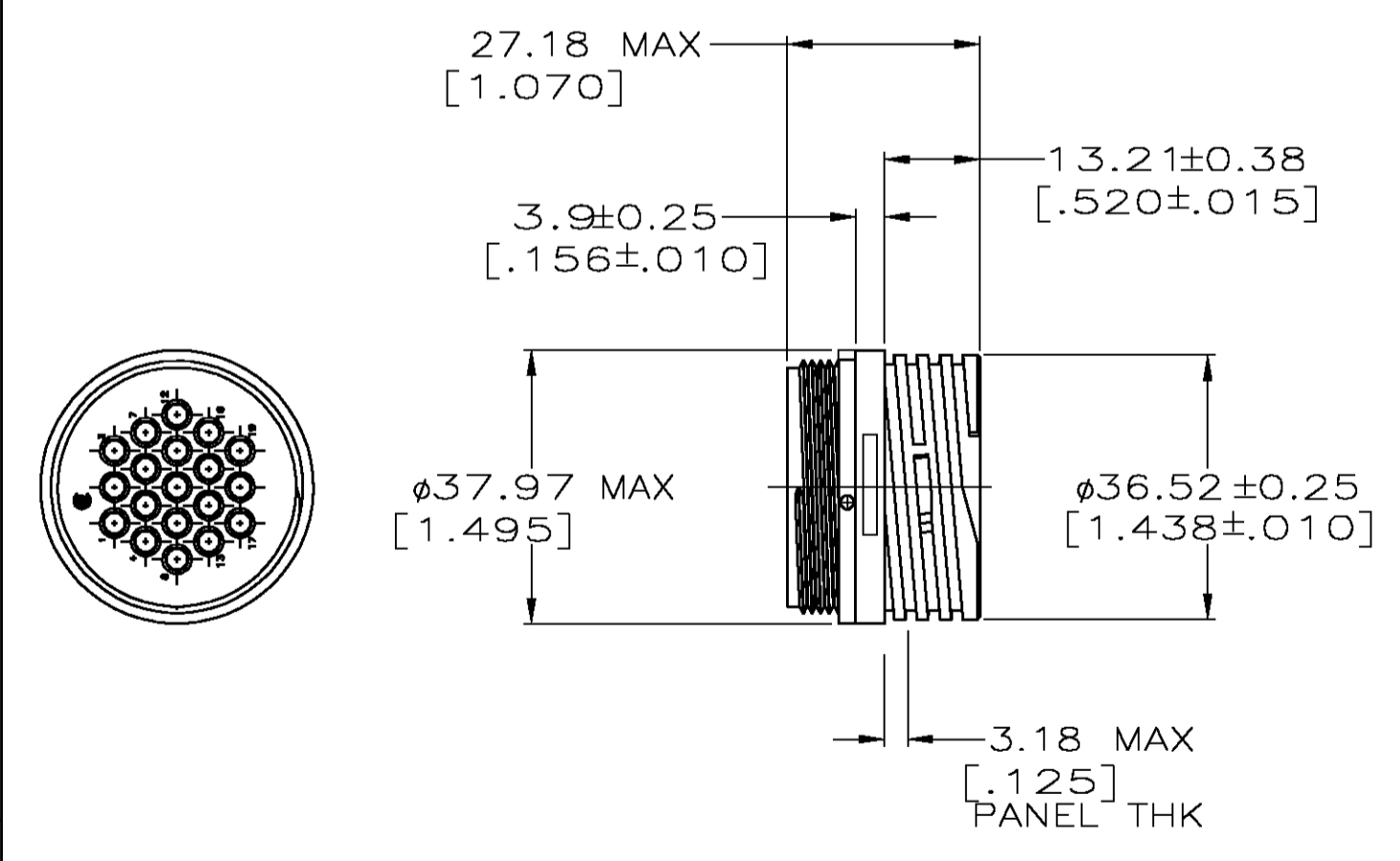


NOTES:

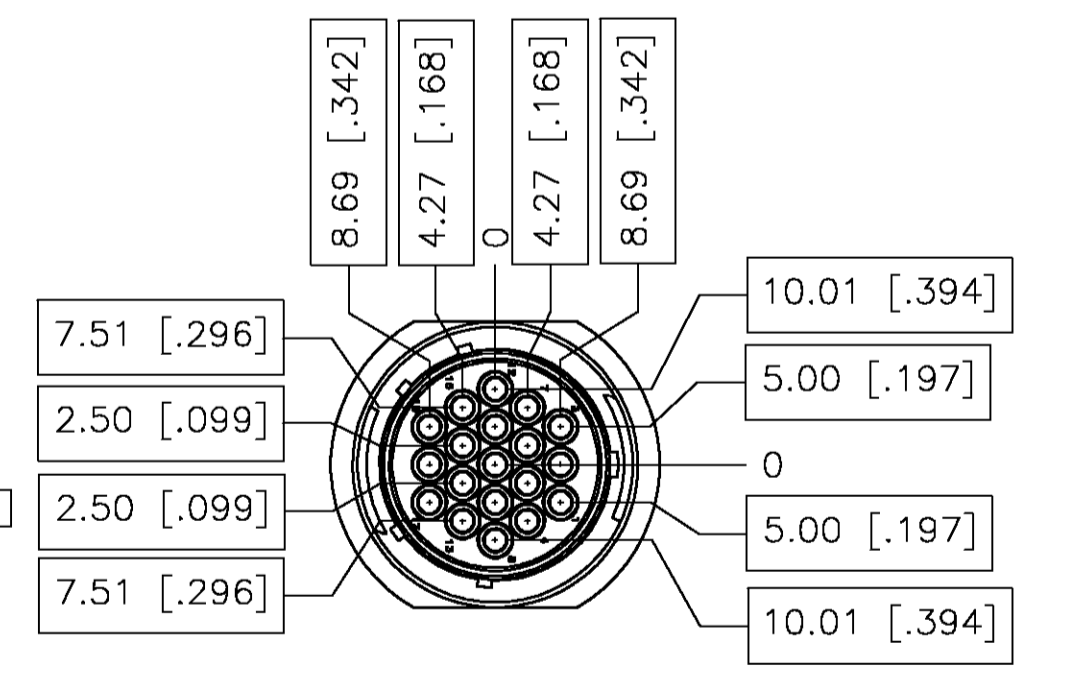
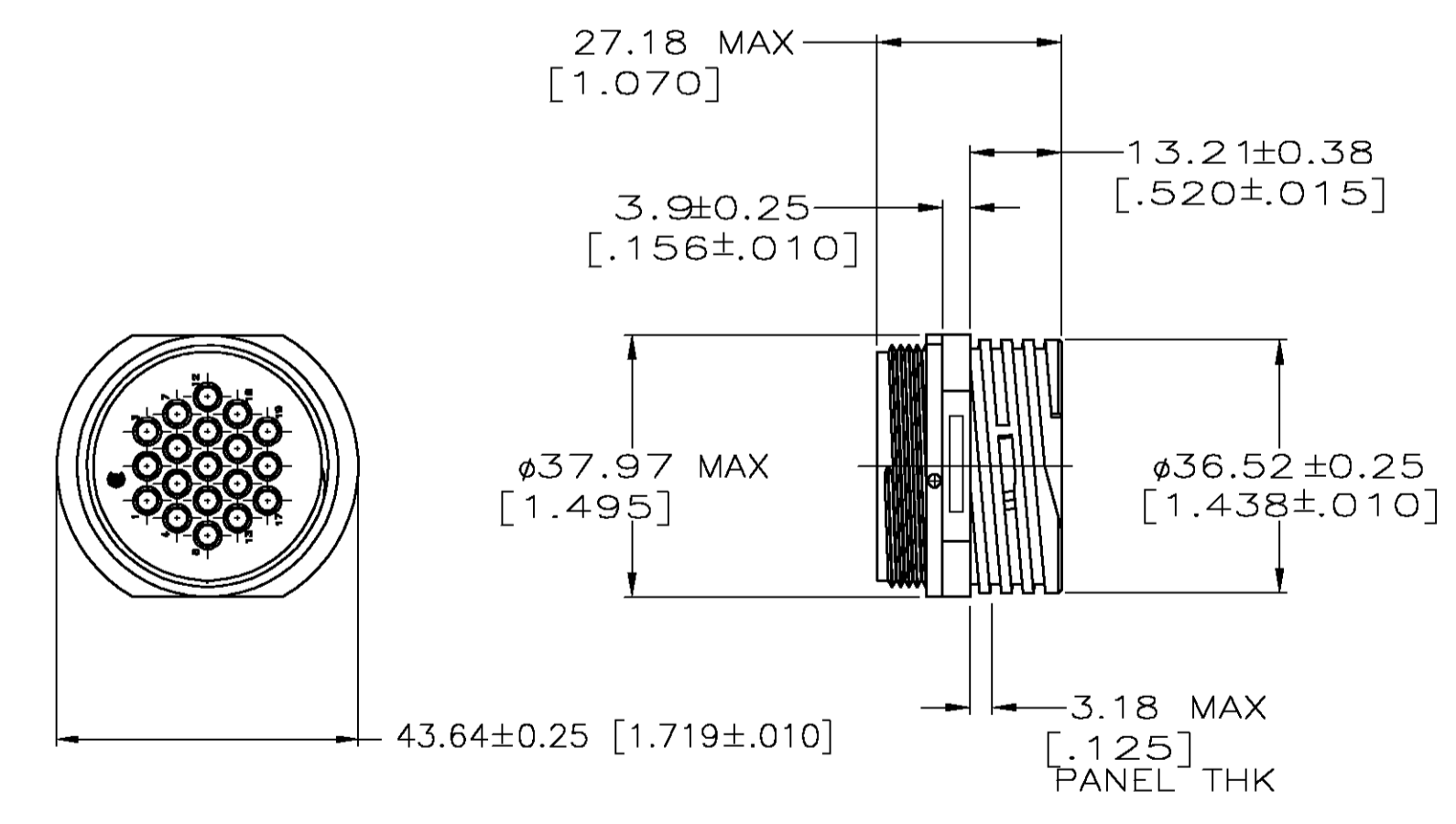
- WILL ACCEPT (19) MULTIMATE SOCKET CONTACTS.
- CONTACT CAVITIES IDENTIFIED BY CHARACTERS ON FRONT AND REAR FACES OF CONNECTOR.
- 3.81[.150] MAX INSULATION DIAMETER.
- 2.54[.100] MAX INSULATION DIAMETER.
- PRELIMINARY PART NUMBER.



211773-1, 211773-2 & 211773-6



211773-4



211773-5

4-40 THREADED INSERTS	YES	NORMAL	211773-6
-	NO	FREE HANGING	211773-5
-	NO	FREE HANGING	211773-4
Ø3.81 [.150]	NO	NORMAL	211773-2
Ø3.81 [.150]	NO	NORMAL	211773-1
C	PERIPHERAL SEAL	KEYING	PART NUMBER

THIS DRAWING IS A CONTROLLED DOCUMENT.

DIMENSIONS:	TOLERANCES UNLESS OTHERWISE SPECIFIED:	APVD	NAME
M	0 PLC ± -	M. CHACO	M. CHACO
	1 PLC ± -		
	2 PLC ± 0.13[.005]		
	3 PLC ± -		
	4 PLC ± -		
	ANGLES ± -		
MATERIAL: NYLON, BLACK	FINISH: -	SIZE	CAGE CODE
		A1	00779
		DRAWING NO	211773
		RESTRICTED TO	-
		CUSTOMER DRAWING	SCALE 1:1 SHEET 1 OF 1 REV G